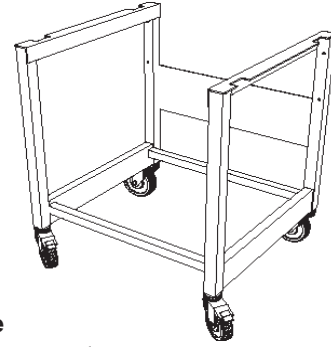
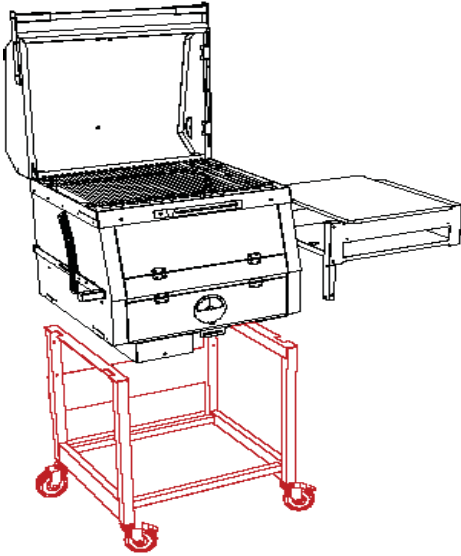




B1 CART Specification

The backyard grill mounts into several universal bases. This is the basic cart base for the grill. It is stable and easy to move. It ships in a separate box and can be assembled in minutes using only a screwdriver and a small wrench.



Cart frame

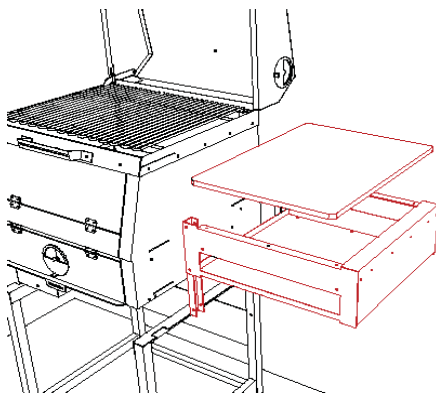
- Heavy gauge steel
- Two-coat powder paint finish for durability
- Easy to assemble
- All stainless hardware
- Sturdy and solid in use
- Locking casters and large wheels

MEASUREMENTS

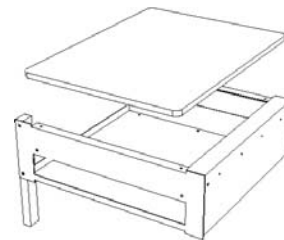
Width:	23" (58 cm)
Depth:	22" (56)
Height:	24" (61)
Bottom shelf:	17" x 20" (43 x 51)
Total weight with grill:	145 lbs. (66 kg)
Total weight cart alone:	30 lbs. (14)

B1 SIDE WORKTABLE Specification

The side worktable bolts to the firebox and provides a configurable work area for prep, serving and storage. It mounts a 15" x 20" commercial grade cutting board. The shelf has two hooks for tools, and mounting holes for other accessories.



The side worktable completes your grilling system



Side worktable

- Heavy gauge steel
- Two-coat powder paint finish for durability
- Easy to assemble
- All stainless hardware
- Tool hooks
- Storage or holding area

MEASUREMENTS

Width:	19" (48 cm)
Depth:	16.5" (42)
Height to work surface:	36" (91)
Cutting board:	15" x 20" (38 x 51)
Weight:	9 lbs. (4 kg)