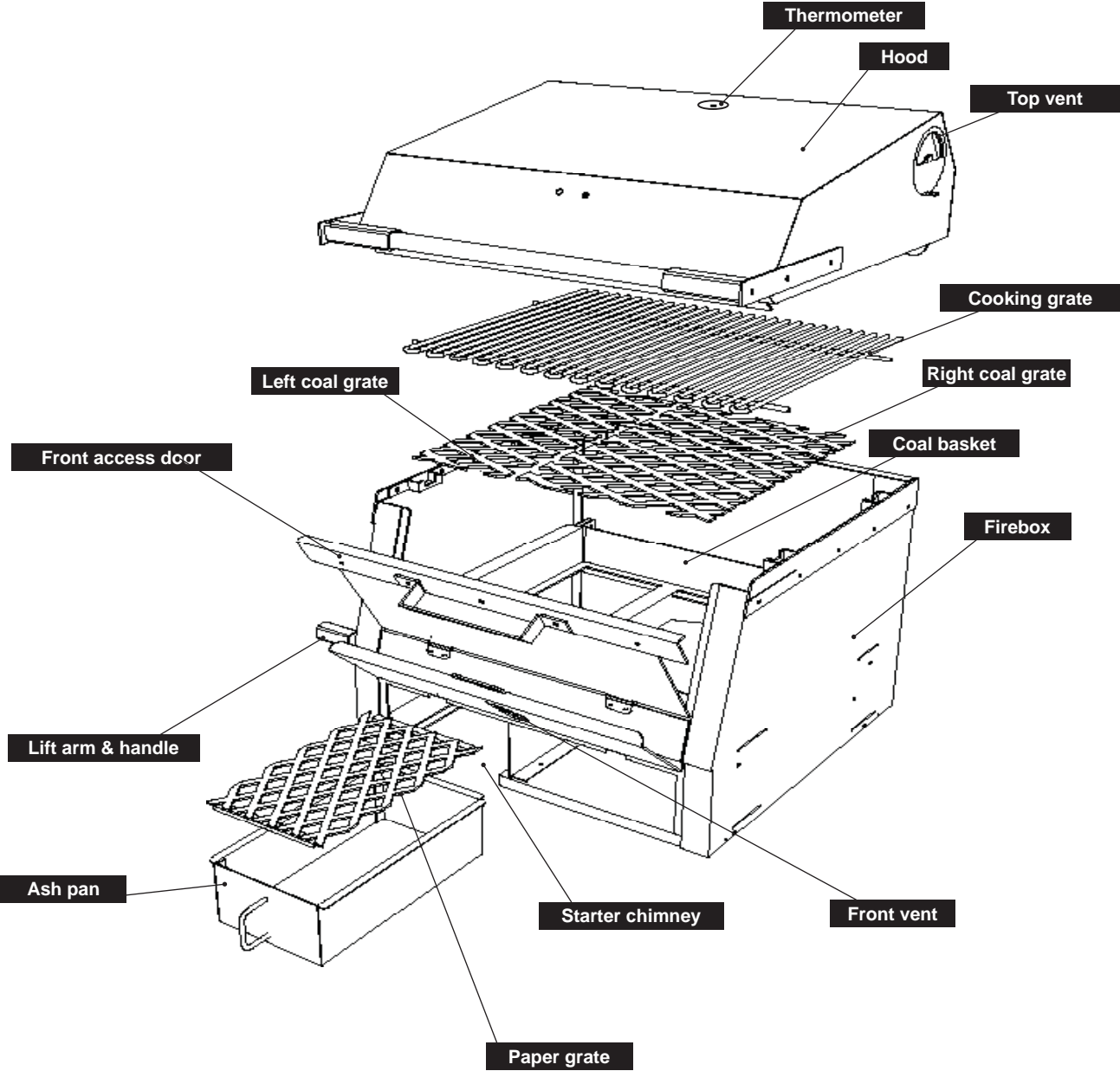


# GRILL ASSEMBLY INSTRUCTIONS

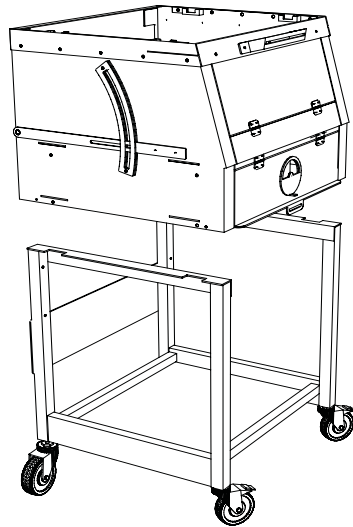
This diagram illustrates all of the major components of the grill and how they relate to the final assembly.



Exploded view of grill components

**ASSEMBLE THE CART or CABINET FIRST BEFORE YOU ASSEMBLE THE GRILL!**

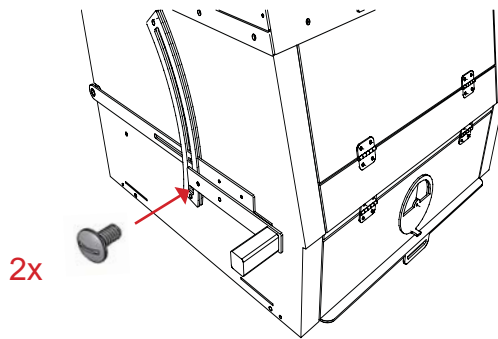
## **GRILL ASSEMBLY INSTRUCTIONS**



**1.**

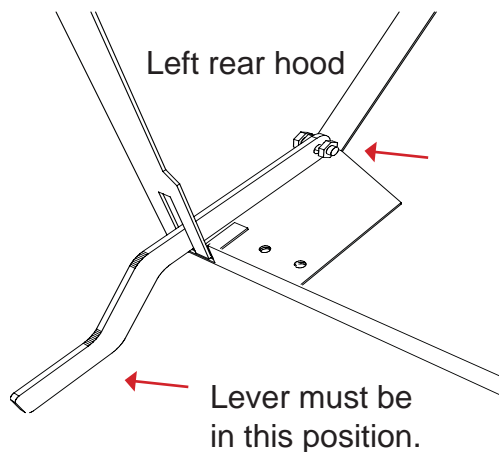
Remove the firebox assembly. It is the largest and heaviest box. **BE CAREFUL!** Get someone to help you.

Place the firebox into the cart, or whichever base you are using and install the set screws to hold it in place.



**2.**

Install the lift arm handle using two 10-32 x 1/4 truss head screws.



**3.**

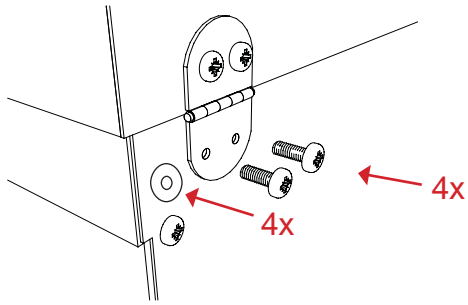
Re-position the hood stop lever to the position shown in this diagram. Remove the nut, reposition the lever, and replace it. The nut need only be finger tight.

**Do not install the hood without changing this lever** to provide a stop on the rotation of the hood. Without the stop, the hood will go over backwards and damage will result. Be careful.

## GRILL ASSEMBLY INSTRUCTIONS

# 4.

Install the hood using four 10-32 x 3/8 pan head screws. Be sure the washers are **BEHIND** the hinge base.



# 5.

Install the loose components:

Left coal grate

Right coal grate

Cooking grate

Paper grate

Ash pan

Thermometer

